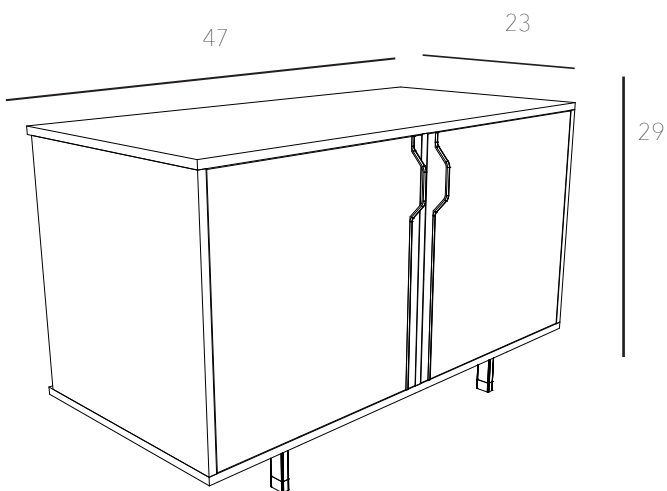




# CHAPMAN DOUBLE



Red (RD) RAL 3020	White (WH) RAL 9016	Black (BL) RAL 9017	Rose' Copper (CP)	Navy (NV)
Orange (OR) RAL 2011	Yellow (YL) RAL 1018	Green (GN) RAL 6018	Brassy Gold (GD)	Grey (GY)
Prairie Green (PG)	Pink (PK)	Blood Red (BR)	Mustard Yellow (MU)	
White Oak (WO)	Walnut (WAL)	Maple (MPL)		

3/4" veneer core plywood, powder-coated steel  
storage options: Doors (DO) or Drawers (DW)  
lead time: 3-4 weeks  
sample SKU: CHP\_2U\_2DO\_WAL\_BL  
product weight: 150 lbs